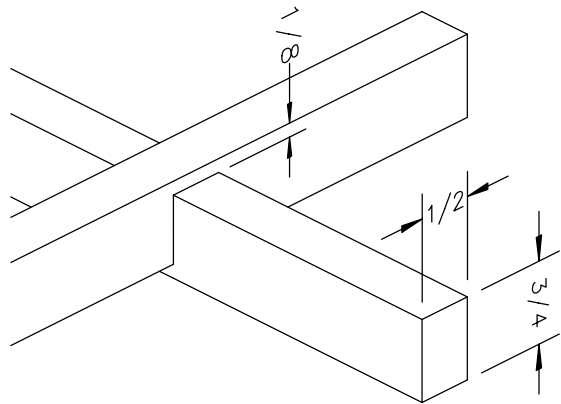


# Precision Images Design Inc.

## Wine Rack Lattice Specifications

Joints have interlocking notches to provide sturdy, permanent joints when assembled. Each member is  $\frac{3}{4}$ " wide x  $\frac{1}{2}$ " thick. Bottle openings are 4" x 4". Sold by the set, each set will produce two panels, each measuring  $36 \frac{3}{8}$ " x  $17 \frac{3}{8}$ " x  $\frac{7}{8}$ " thick at assembly and can easily be cut to desired size. Some light sanding may be required prior to applying finishes. Complete assembly and installation instructions are included.



LK3617O - Select grade Red Oak -

LK3617P - Select D grade White Pine -

